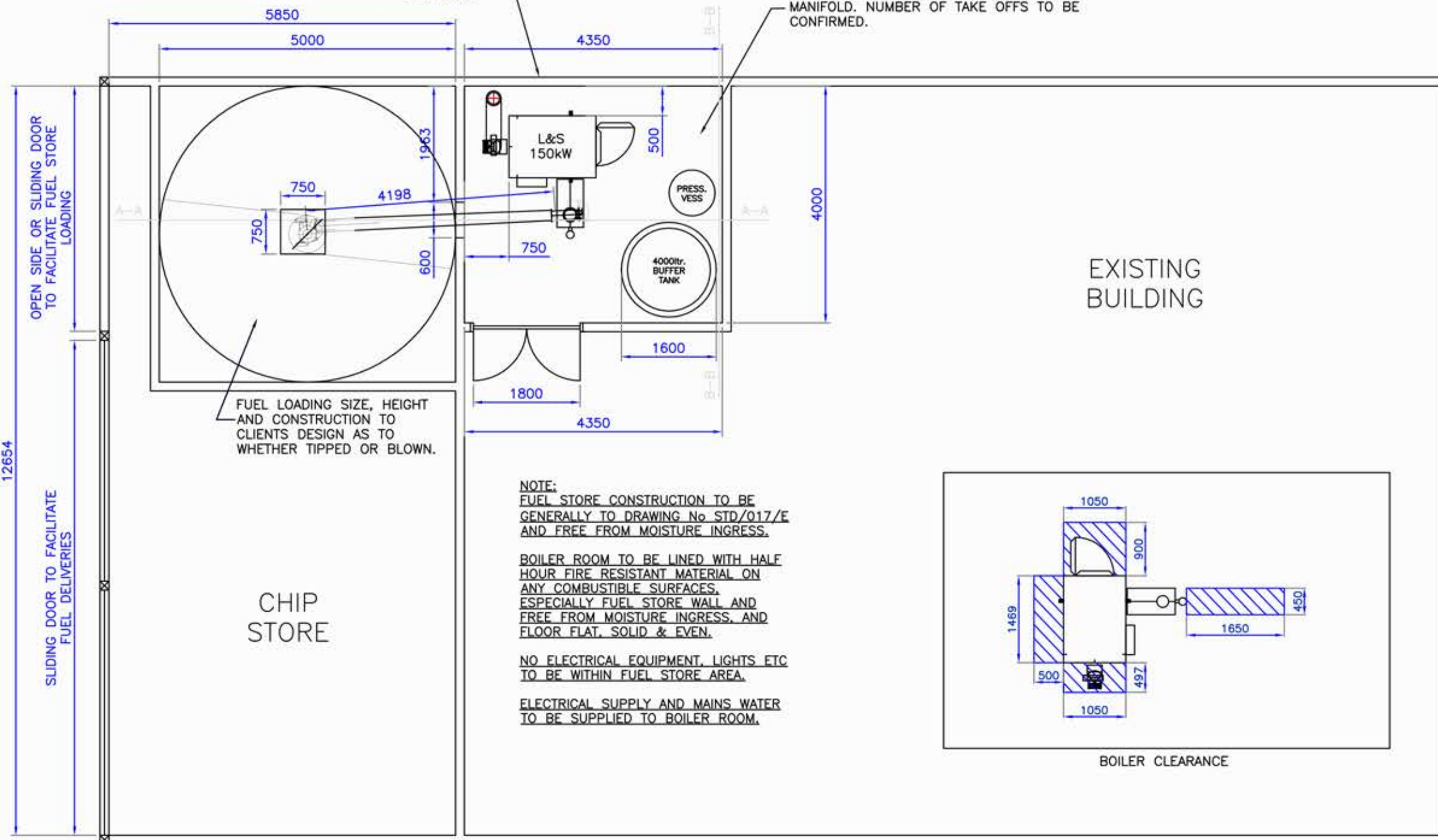


NOTES:
NOTE 1. ALL DIMENSIONS IN MM UNLESS OTHERWISE STATED.

EXISTING DOOR TO BE FILLED & 450x450 FRESH AIR LOUVRE CUT INTO DOOR.

SUGGESTED LOCATION OF DISTRIBUTION MANIFOLD. NUMBER OF TAKE OFFS TO BE CONFIRMED.



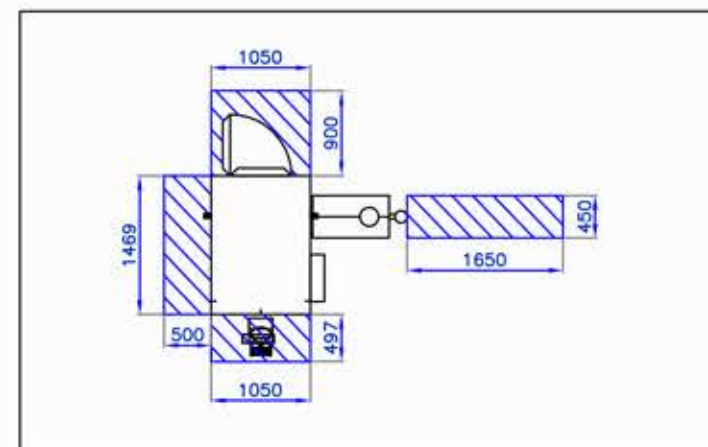
NOTE:
FUEL STORE CONSTRUCTION TO BE GENERALLY TO DRAWING No STD/017/E AND FREE FROM MOISTURE INGRESS.

BOILER ROOM TO BE LINED WITH HALF HOUR FIRE RESISTANT MATERIAL ON ANY COMBUSTIBLE SURFACES, ESPECIALLY FUEL STORE WALL AND FREE FROM MOISTURE INGRESS, AND FLOOR FLAT, SOLID & EVEN.

NO ELECTRICAL EQUIPMENT, LIGHTS ETC TO BE WITHIN FUEL STORE AREA.

ELECTRICAL SUPPLY AND MAINS WATER TO BE SUPPLIED TO BOILER ROOM.

EXISTING BUILDING



BOILER CLEARANCE

BLEGBERRY FARM

PLANT ROOM LAYOUT

INSTALLATION

ORIGINAL DRAWING SIZE A3 SCALE NTS

DRAWING NUMBER R0019 - 01	REV. C
------------------------------	-----------



Rainbow Heat & Power Ltd,
Unit 5 Cedar Court
Tiverton Business Park
Tiverton
EX16 6GT

Tel. 01884 212 044
Web : www.rainbowheatandpower.co.uk
e-mail : hello@rainbowheatandpower.co.uk